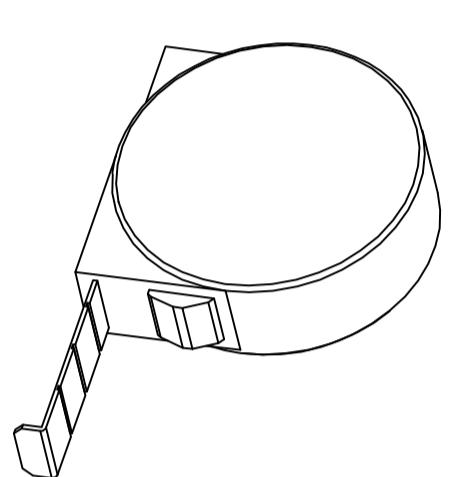
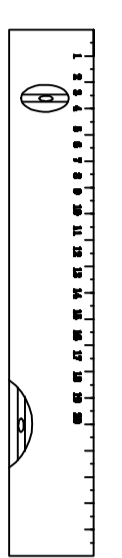
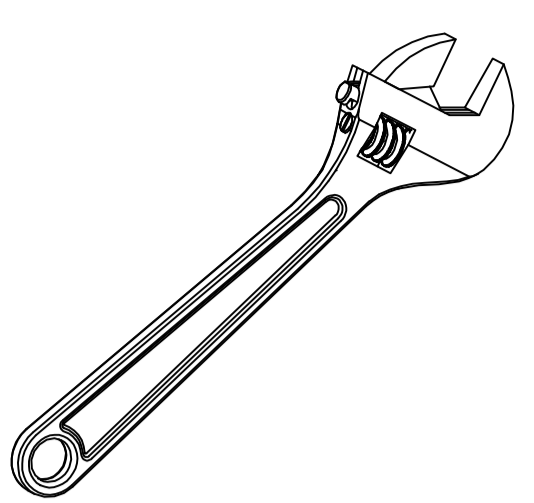
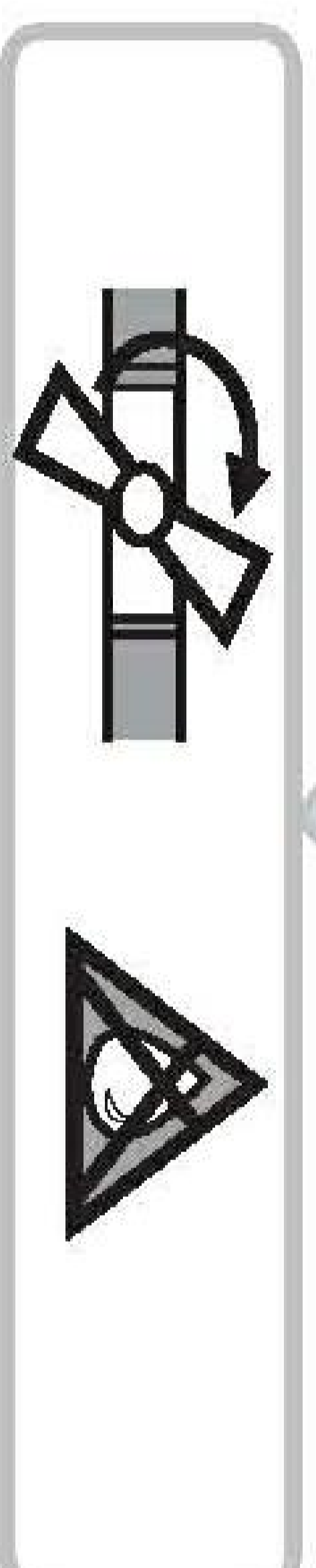
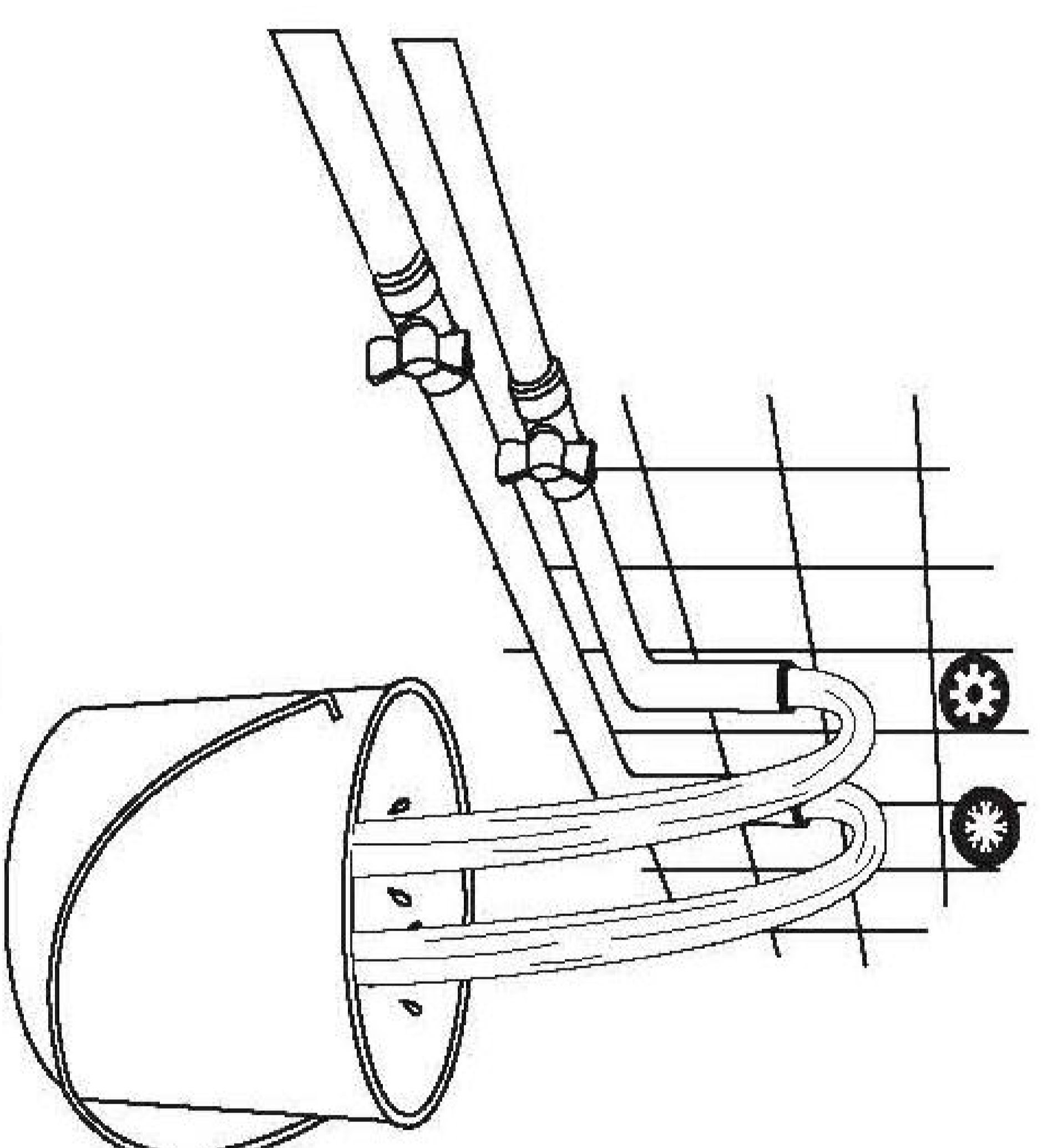


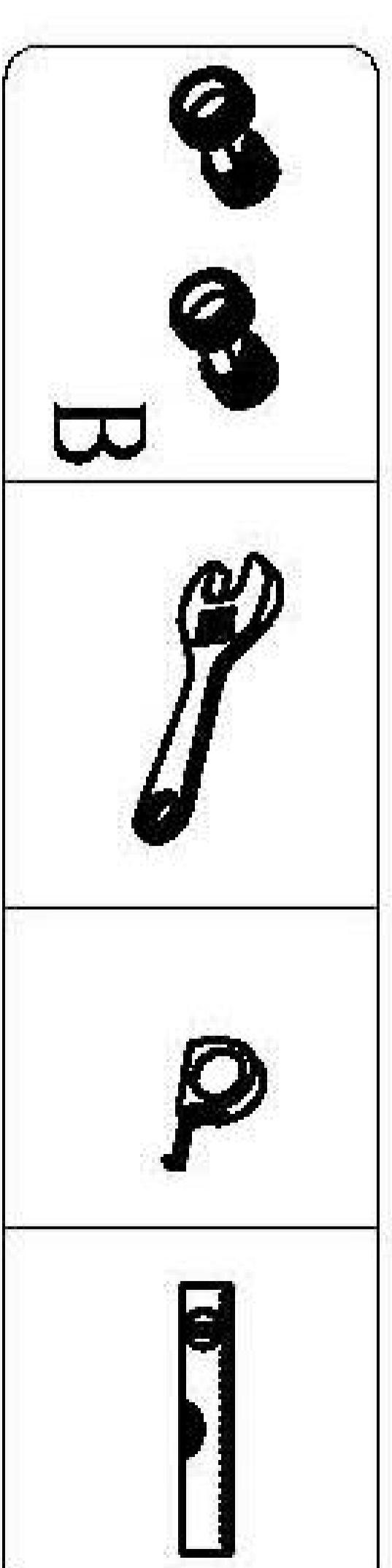
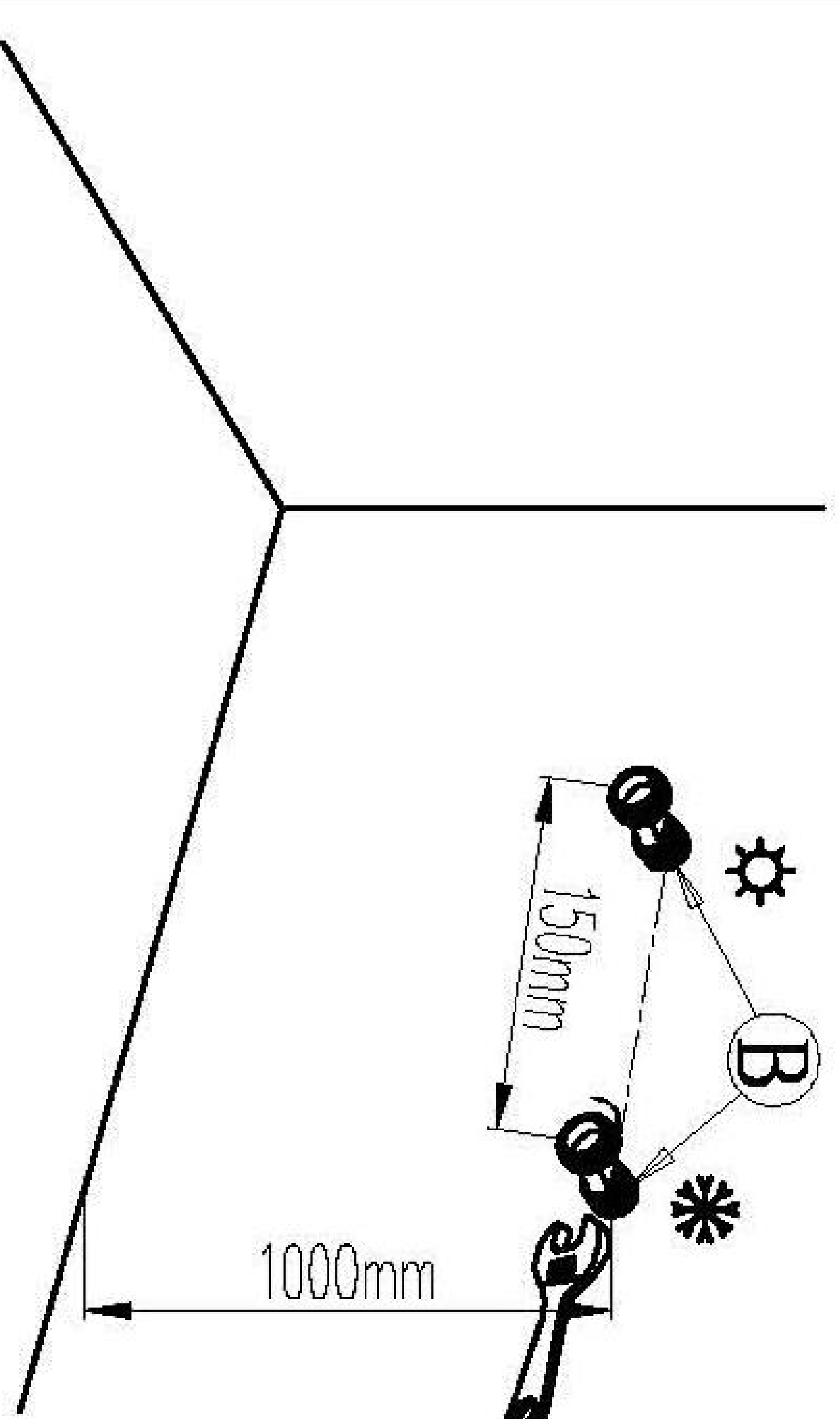
ENVOL DOUCHE



1



2



150mm



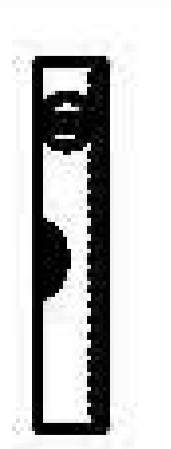
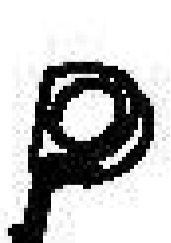
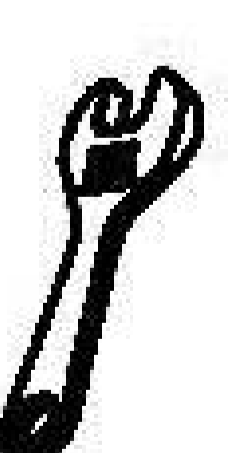
1000mm



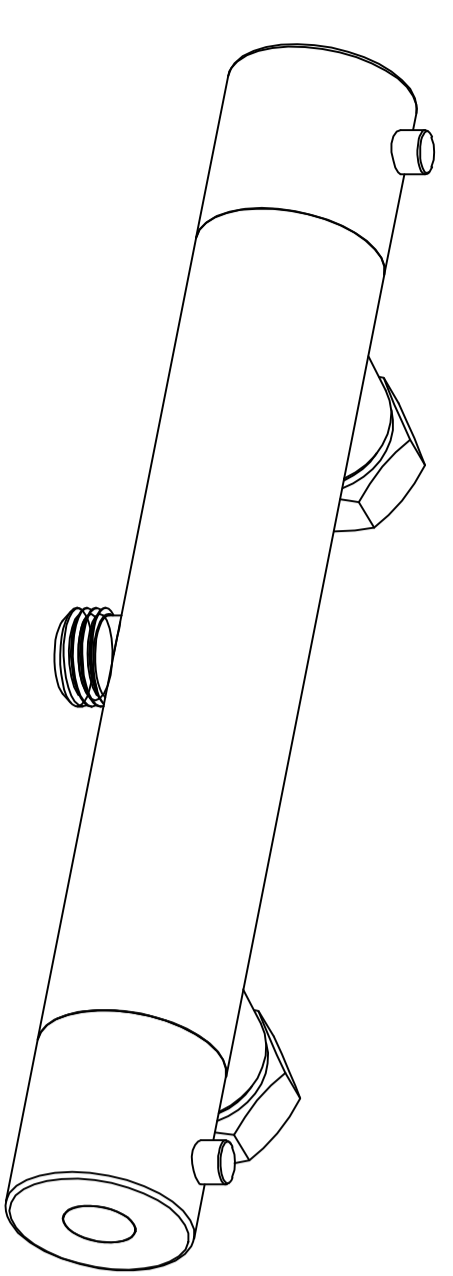
B



B

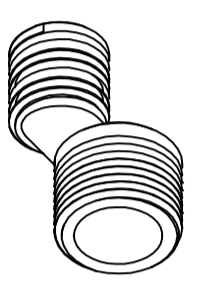
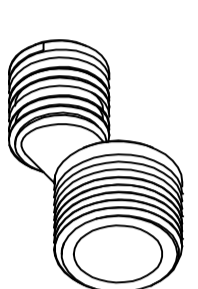


3

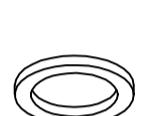
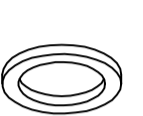


A

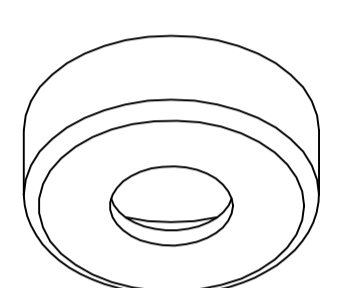
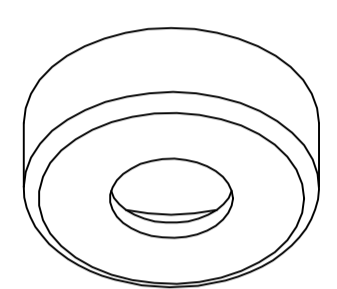
B



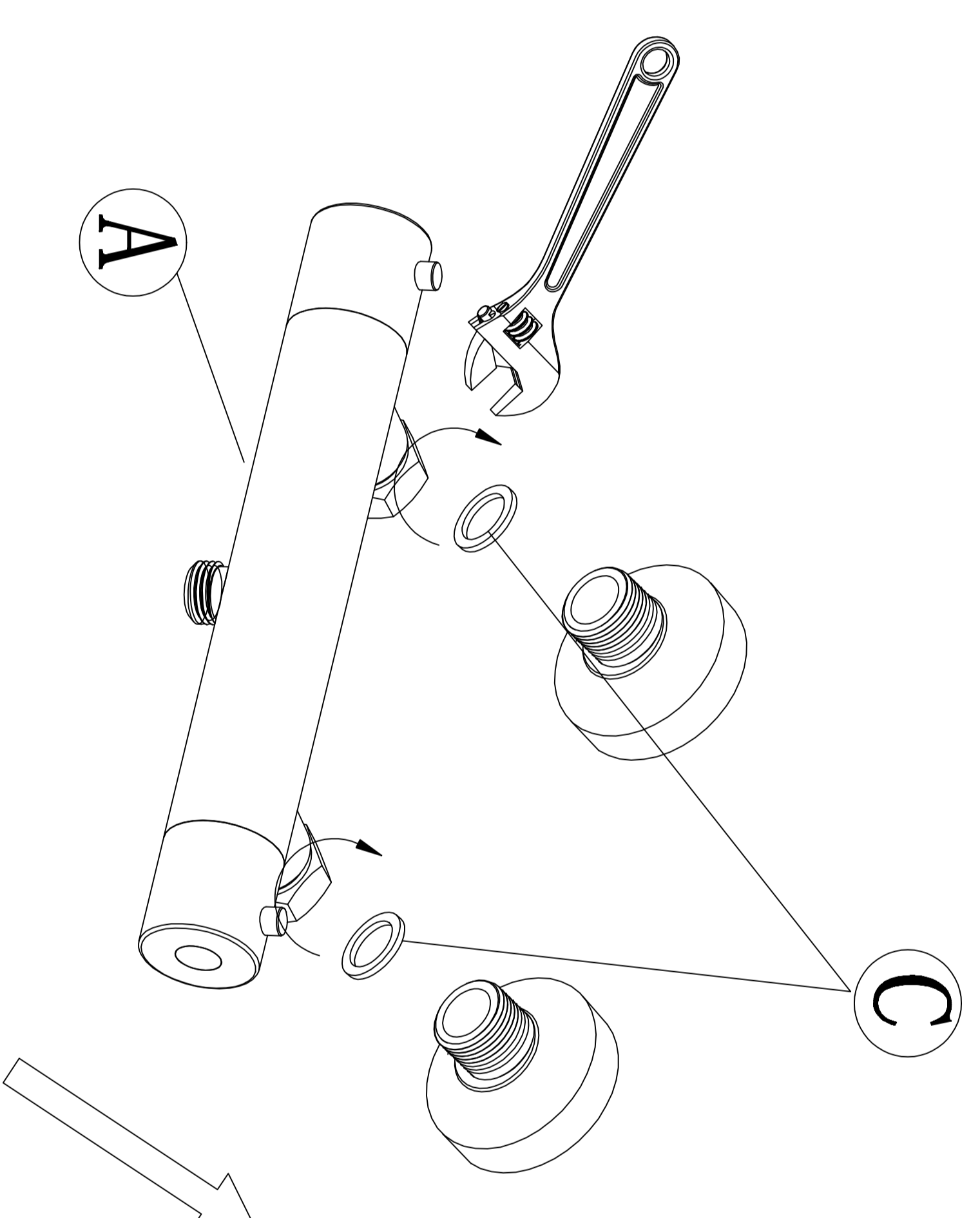
C



D

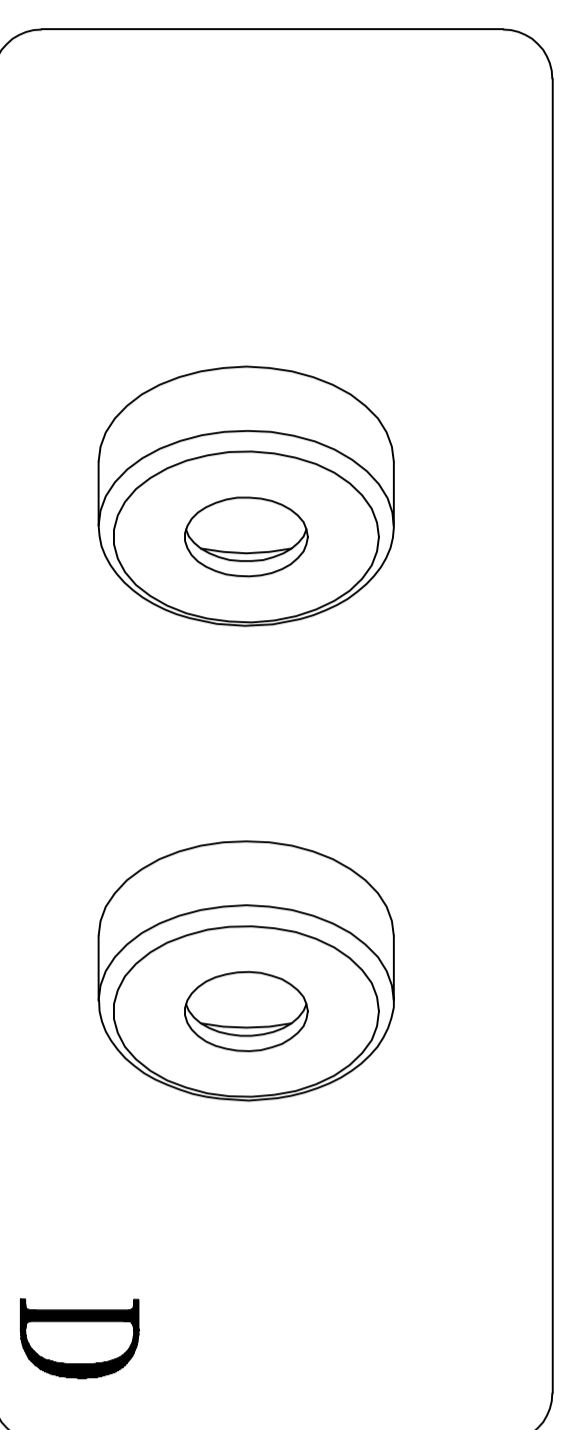


4



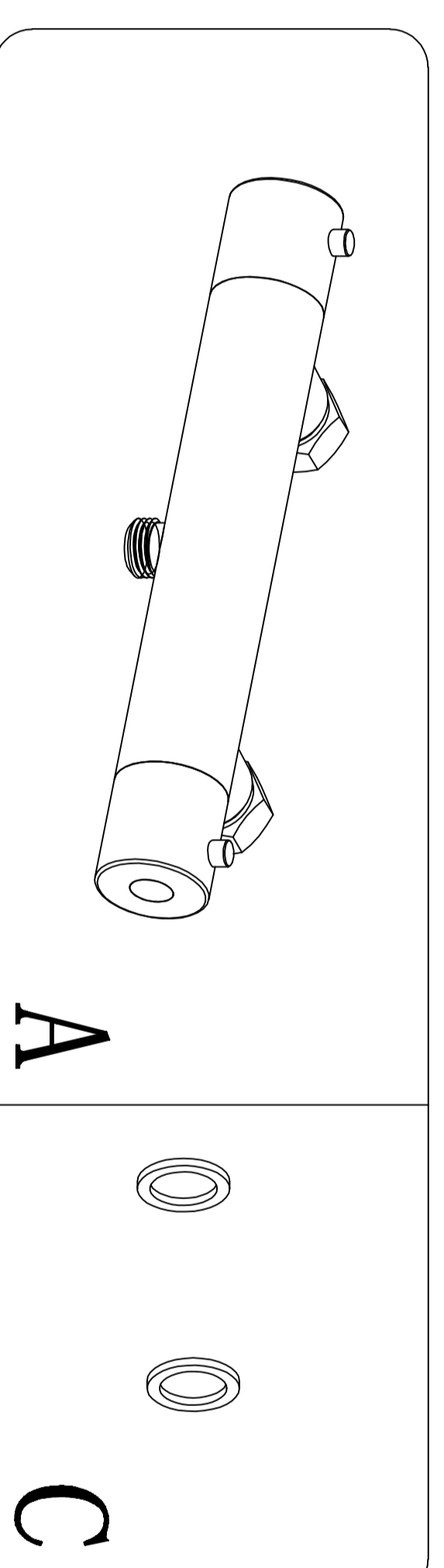
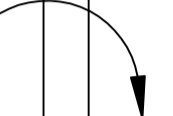
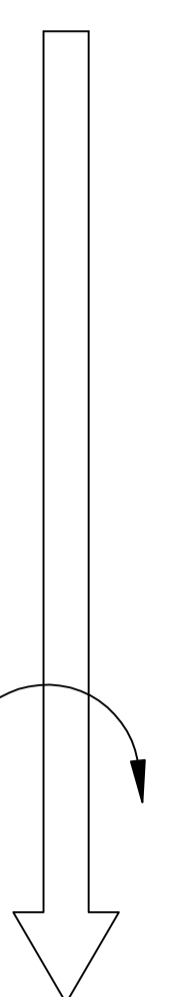
A

C



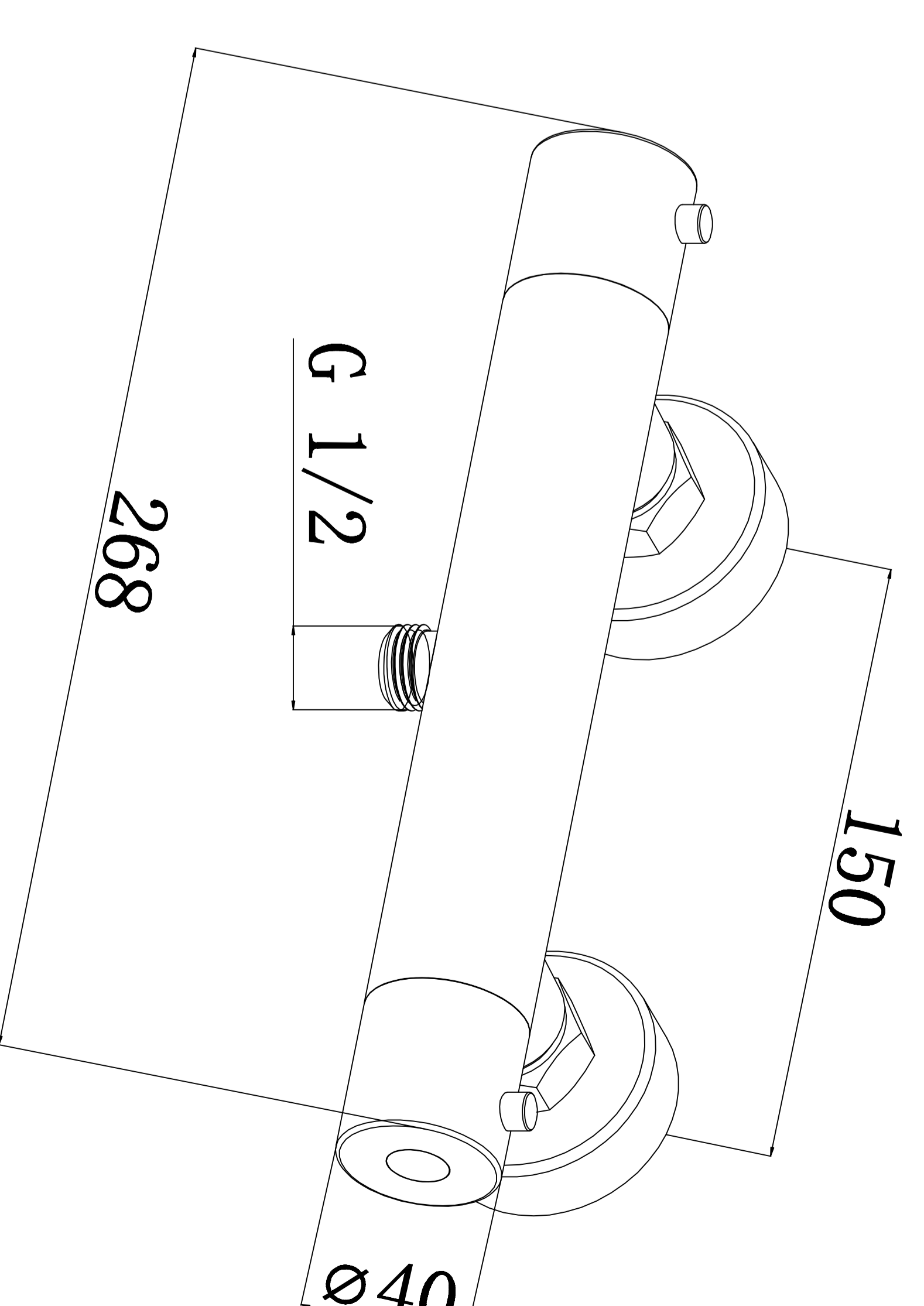
D

D



A

C



150

G 1/2

268

ø40