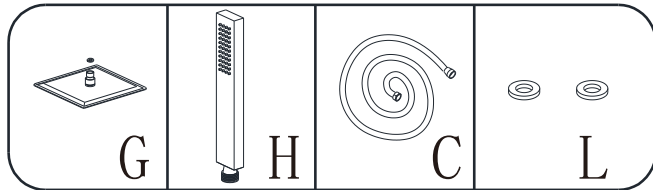
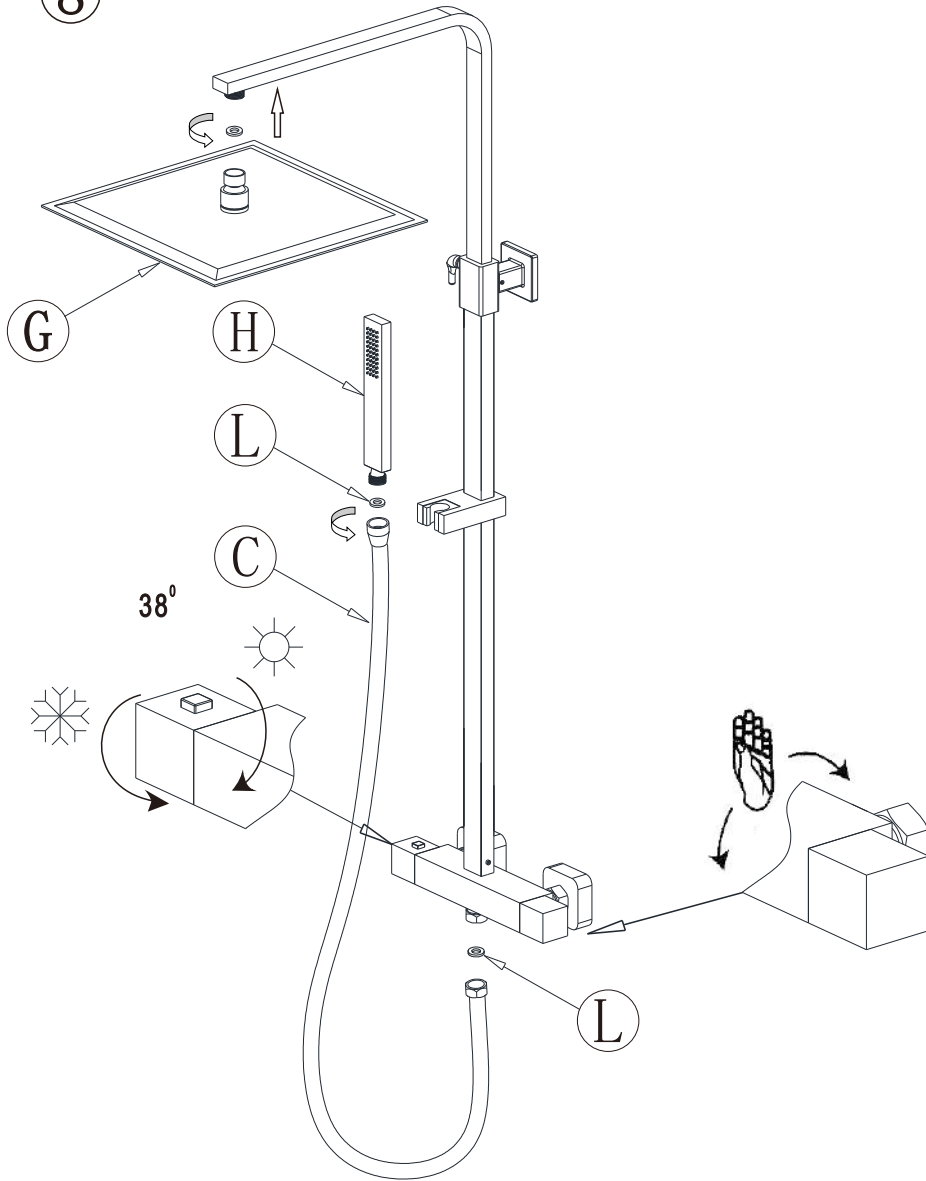
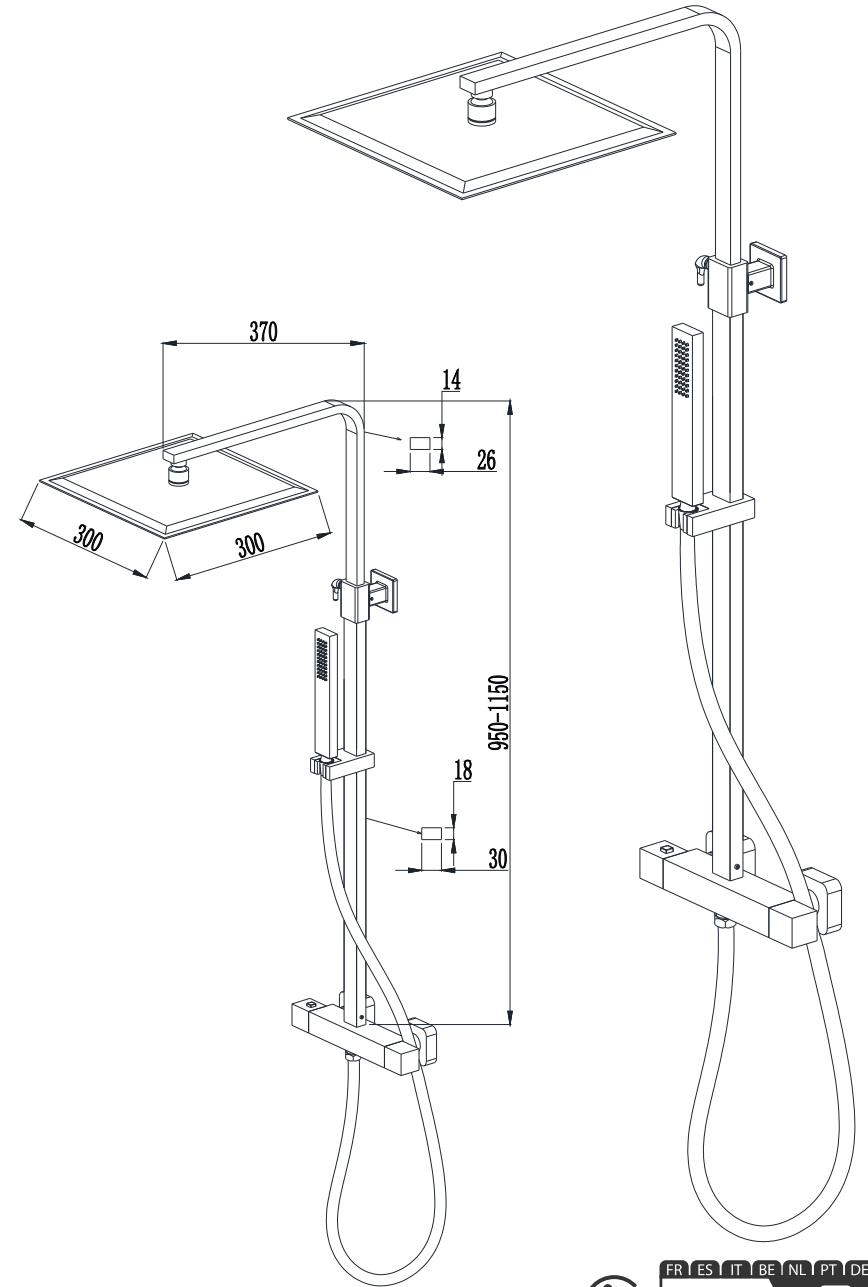

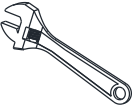

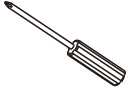


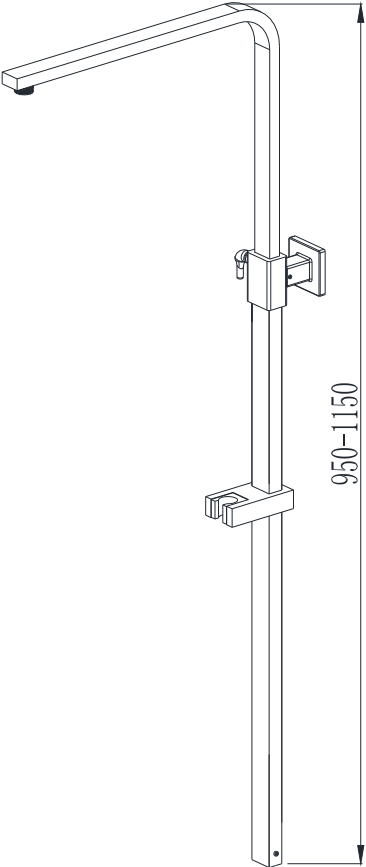
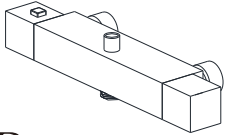
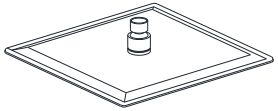


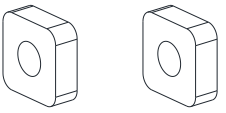
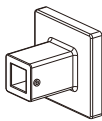
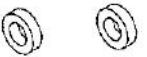






8

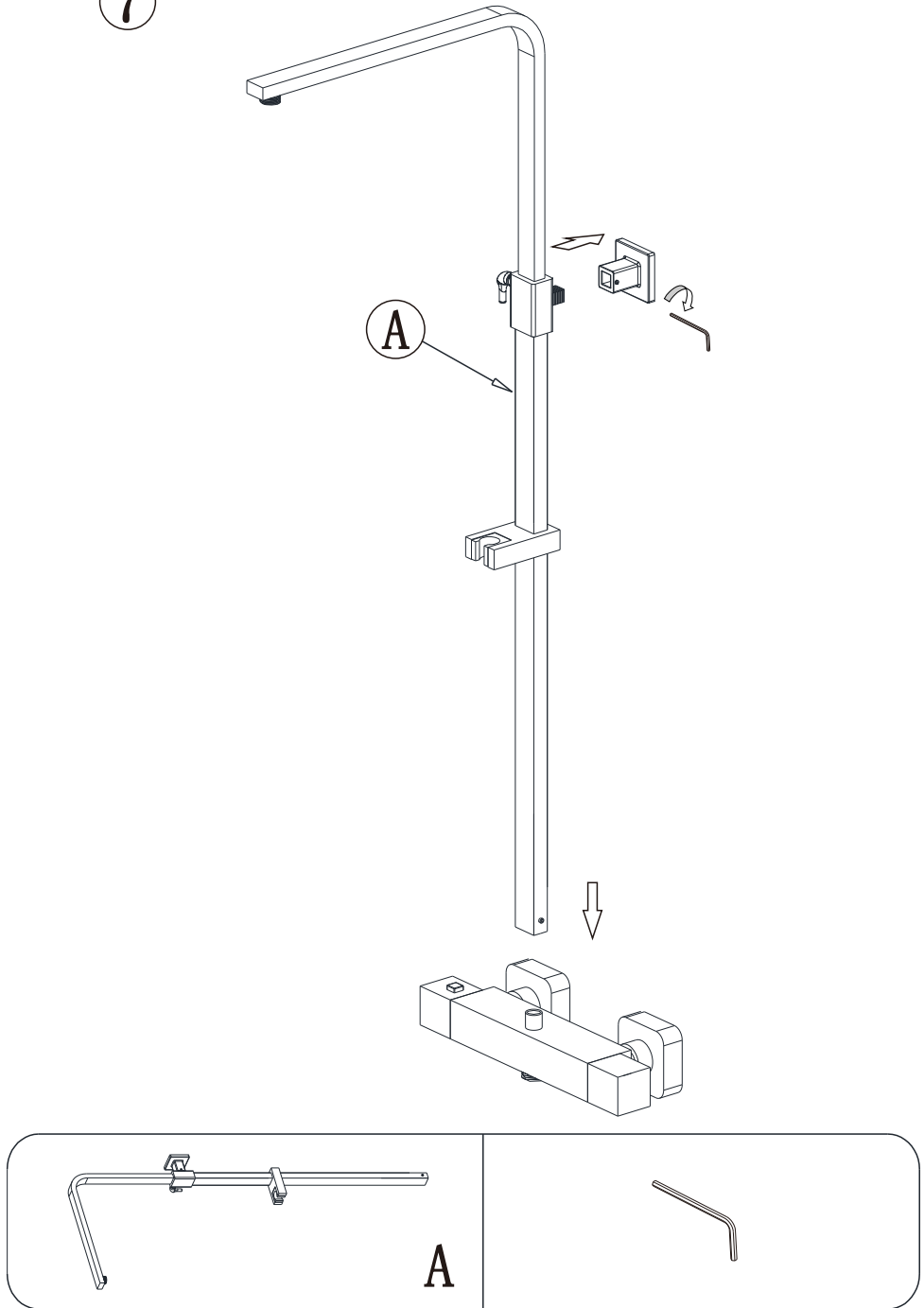


# SQUARE II THERMO

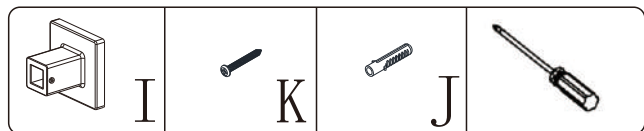
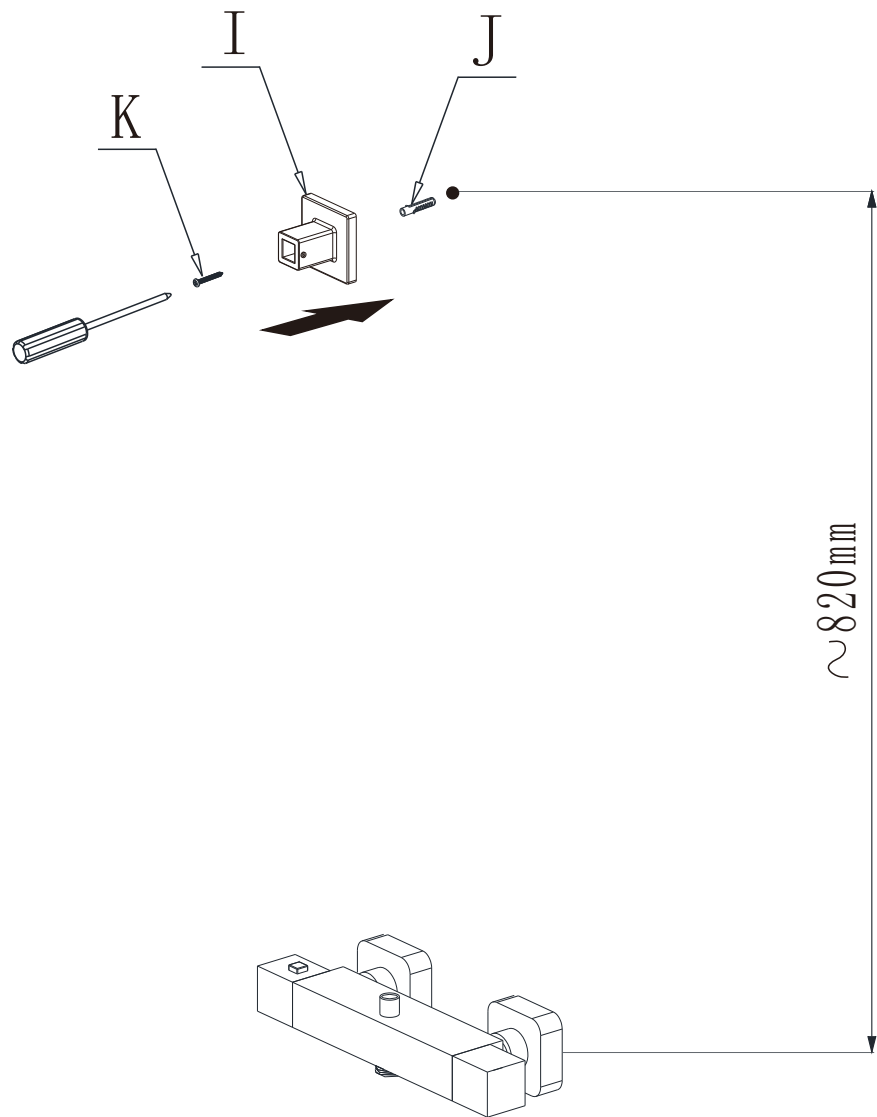


					
 <p data-bbox="369 882 409 994">950-1150</p> <p data-bbox="112 1465 152 1513">A</p>					
					
					
					
					
					

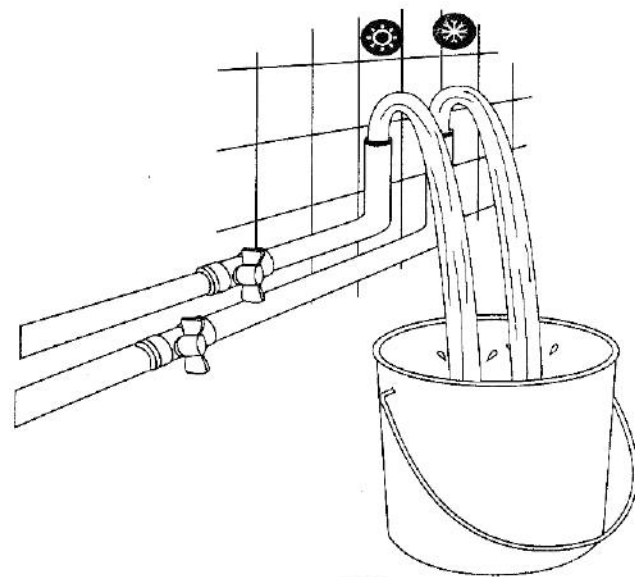
7



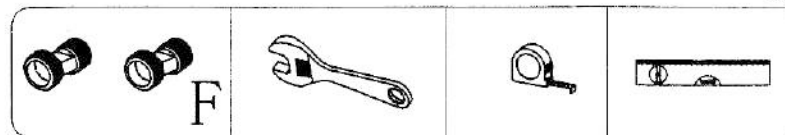
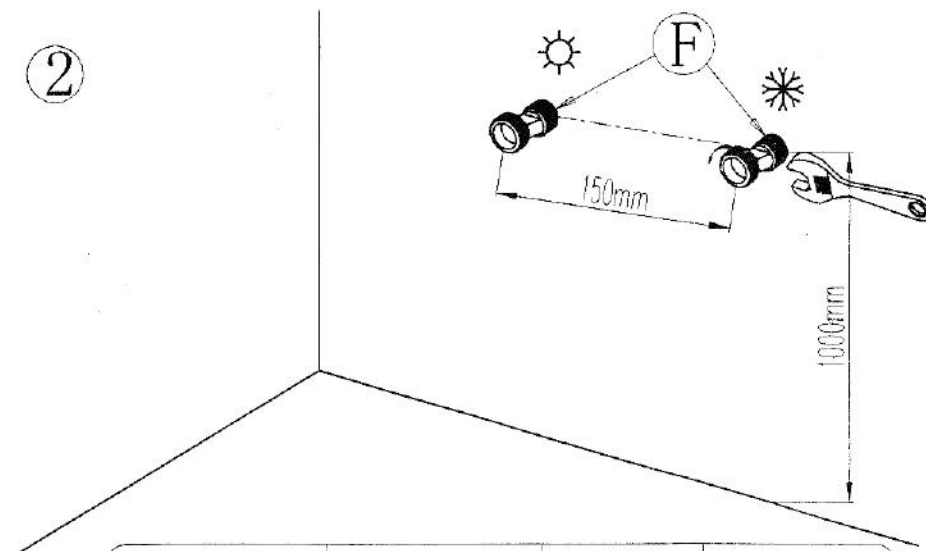
⑥



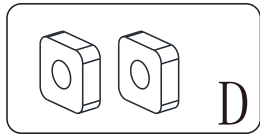
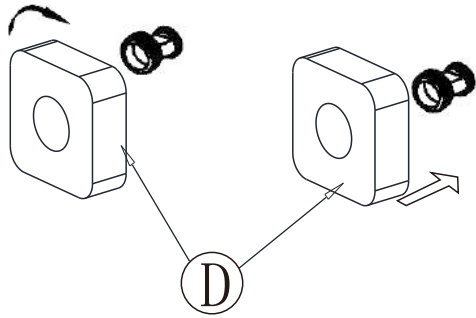
①



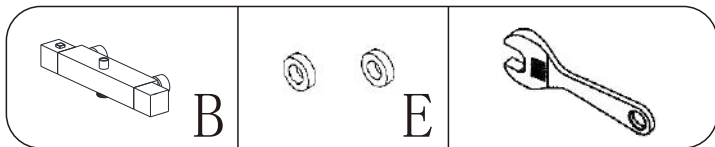
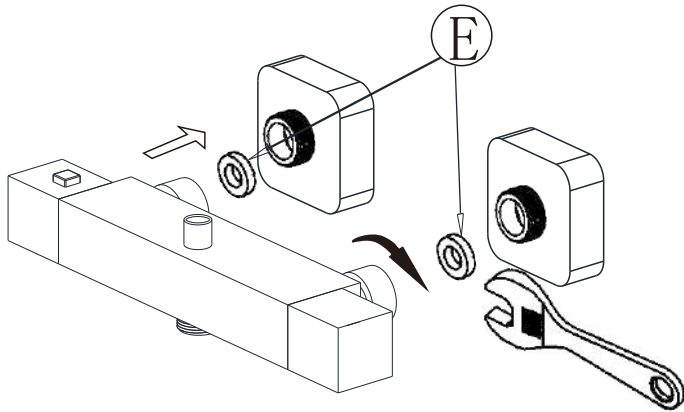
②



3



4



5

