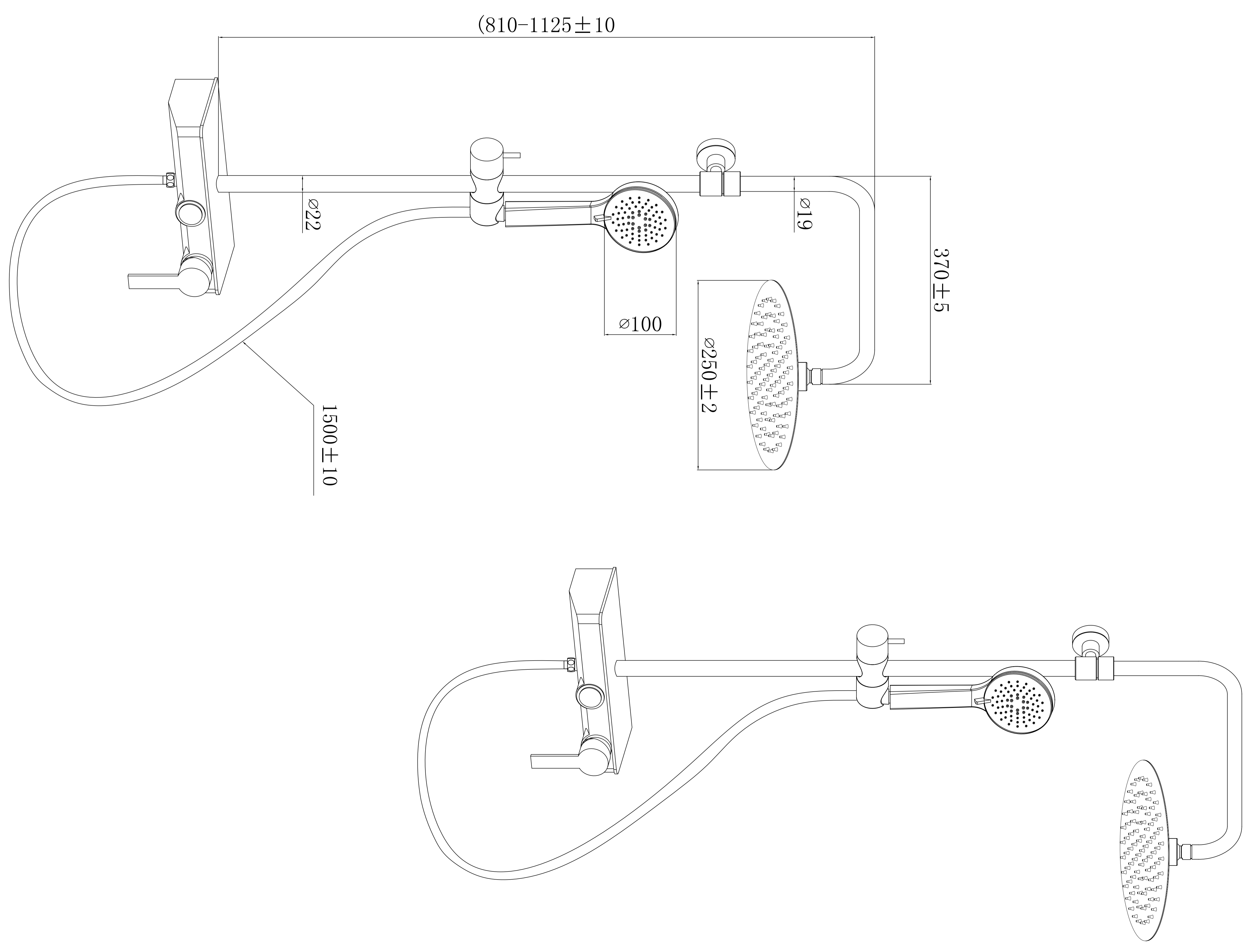
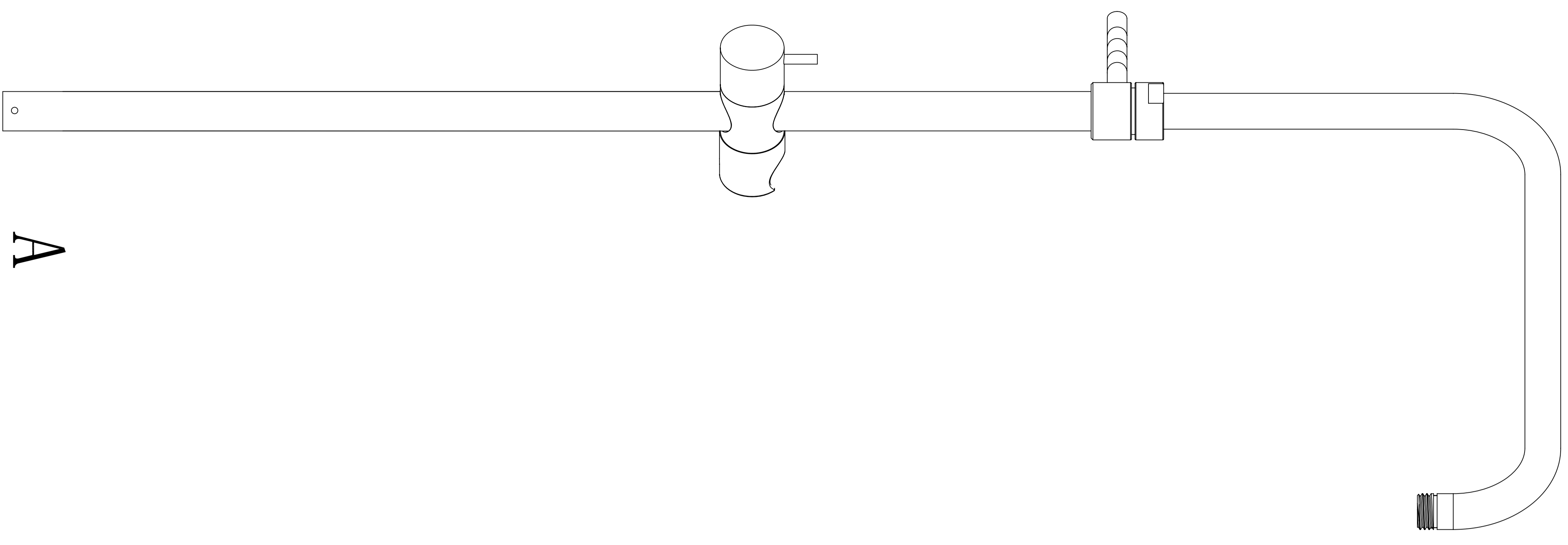
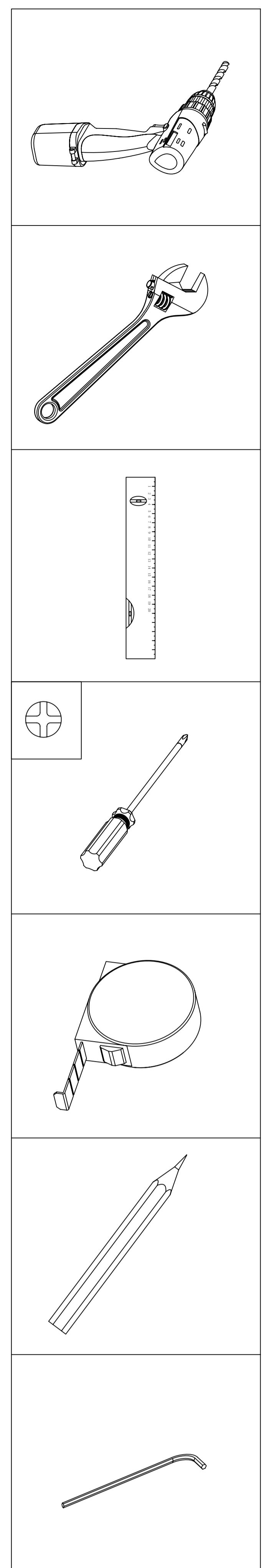


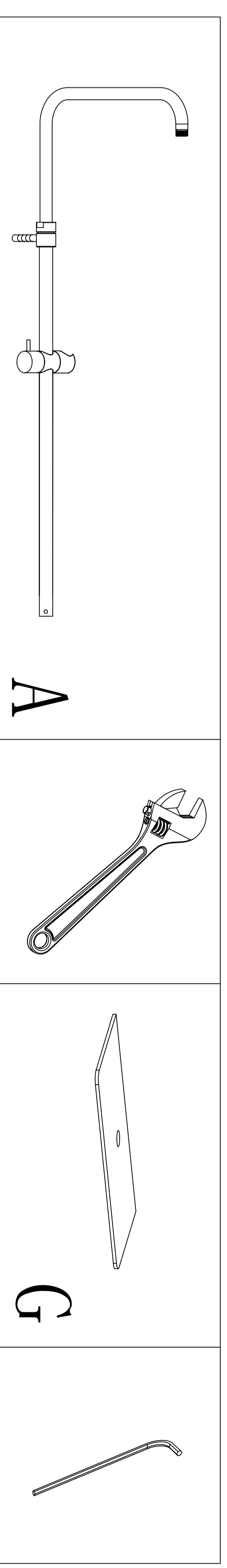
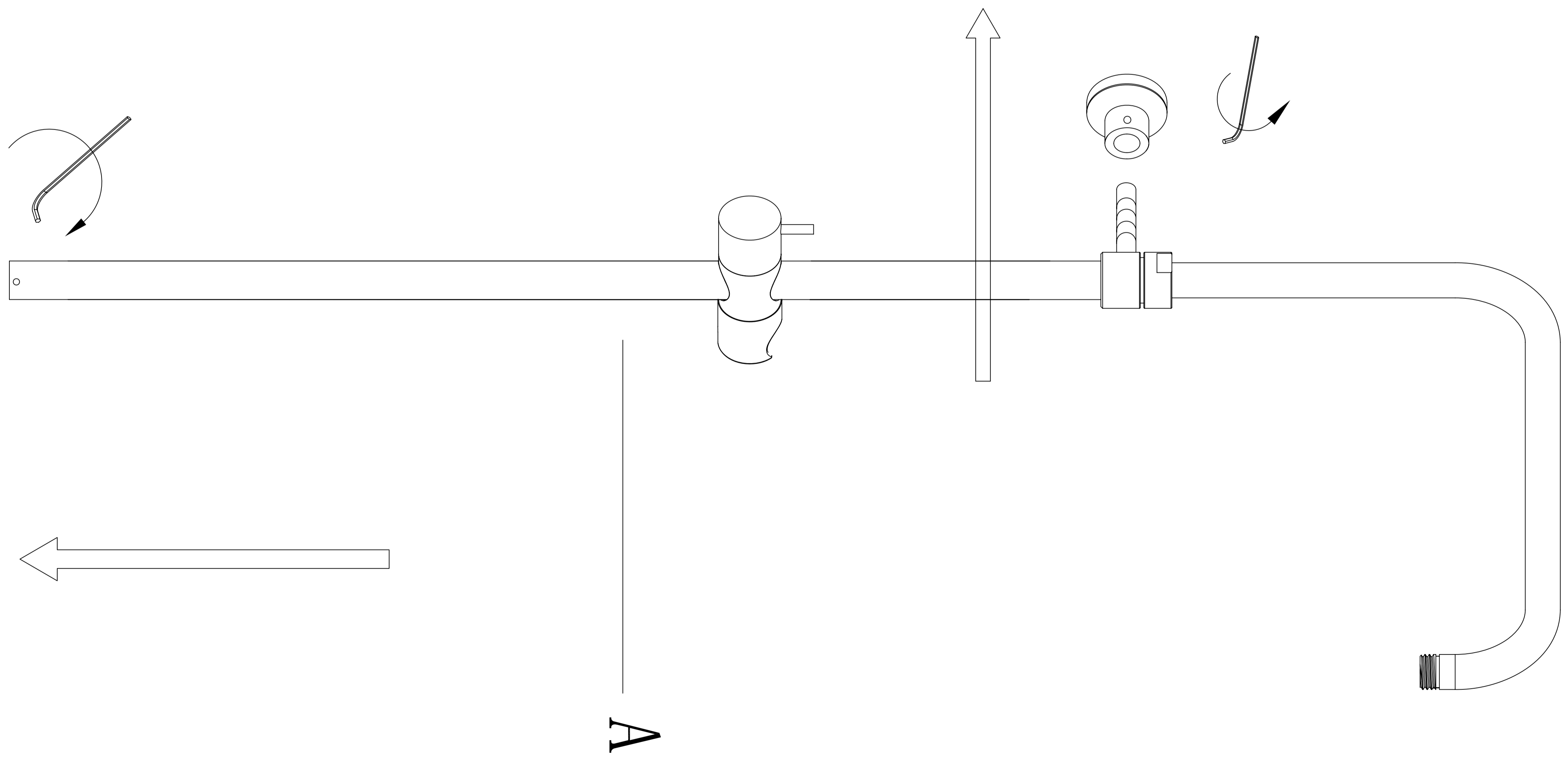
- B
- C
- D
- L

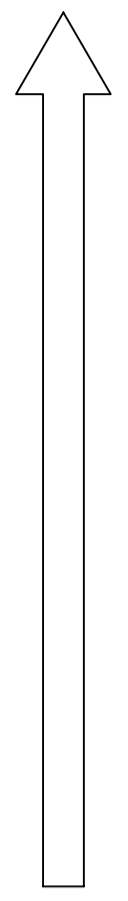
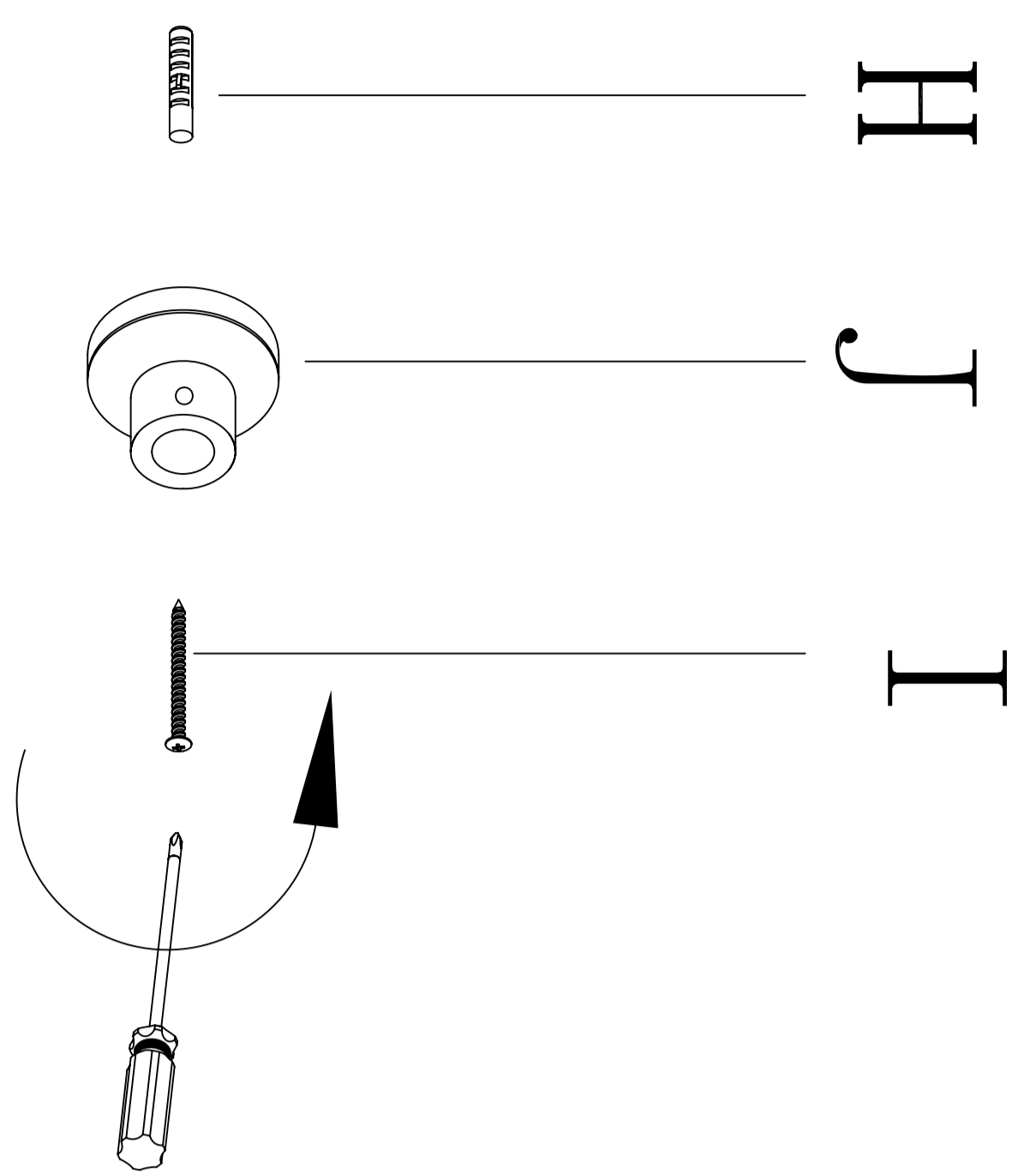
WATERBOX II



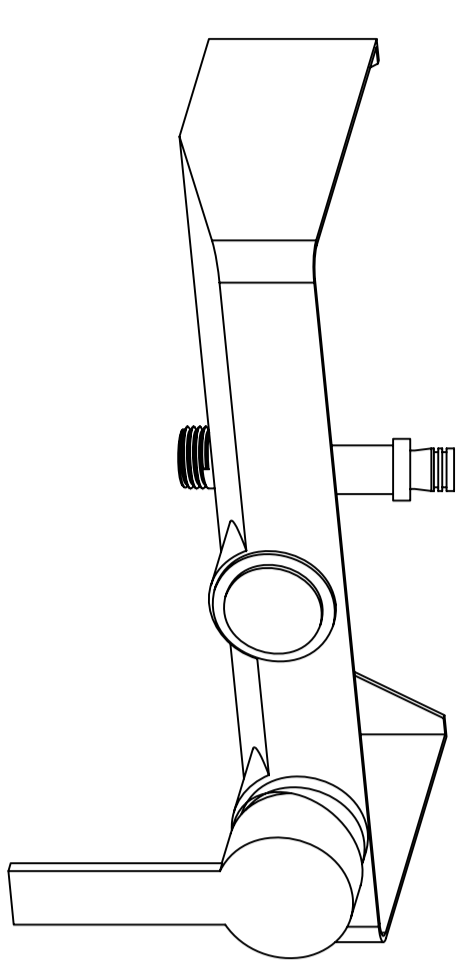
(810-1125 ± 10)










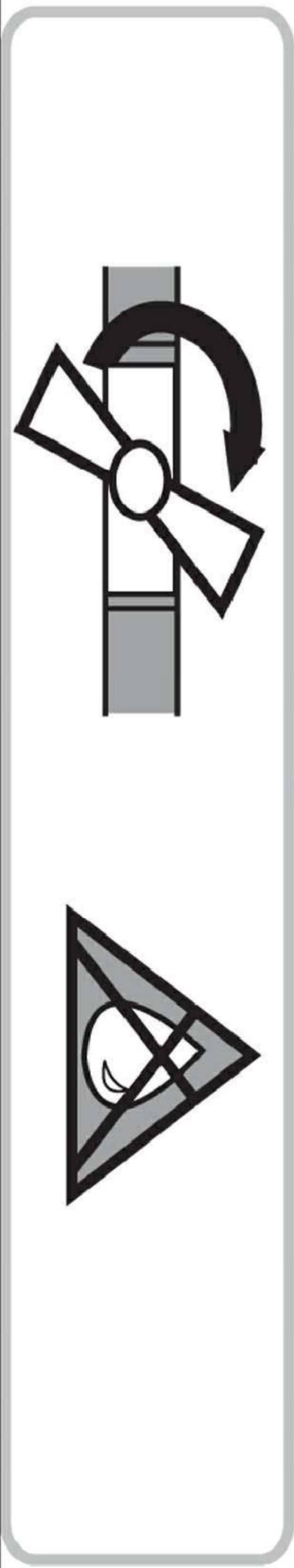
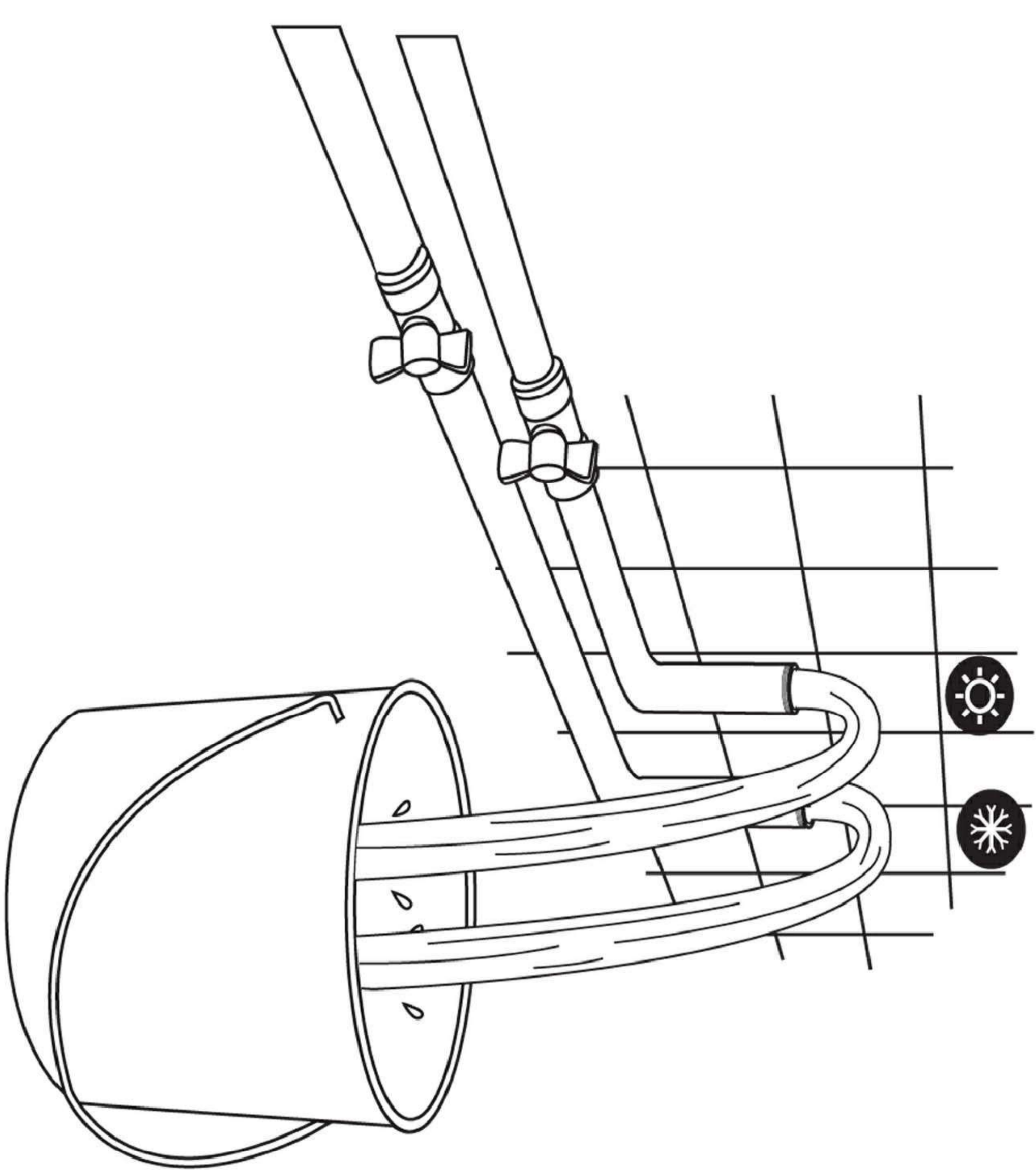


727 ± 2

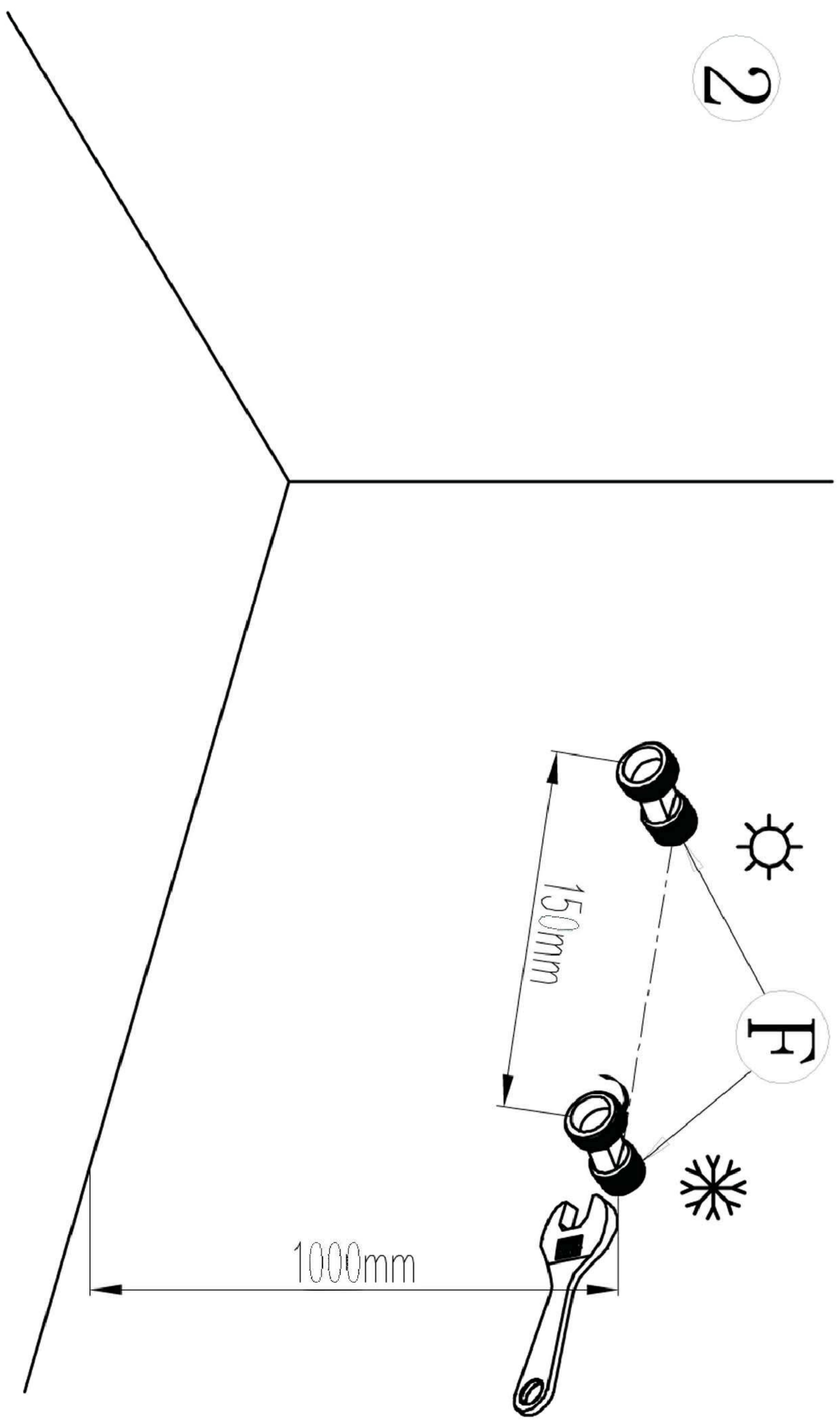






				
H	J	I	J	I

1



2



			
F			

